

We help you save space.

(make room for college!)



TimberNest IronNest Loft Beds:

- Universal & safe design
- \$100 Cash Buyback
- Order at: timbernest.com

IronNest Loft
Beds create up to
30% more
living space

In your
college room,
that's a lot!



timbernest.com
919-285-1246

MADE IN USA



Longwood Students - CREATE SPACE with a TimberNest Loft Bed

Sponsored by:

LONGWOOD
UNIVERSITY

Residential & Commuter Life

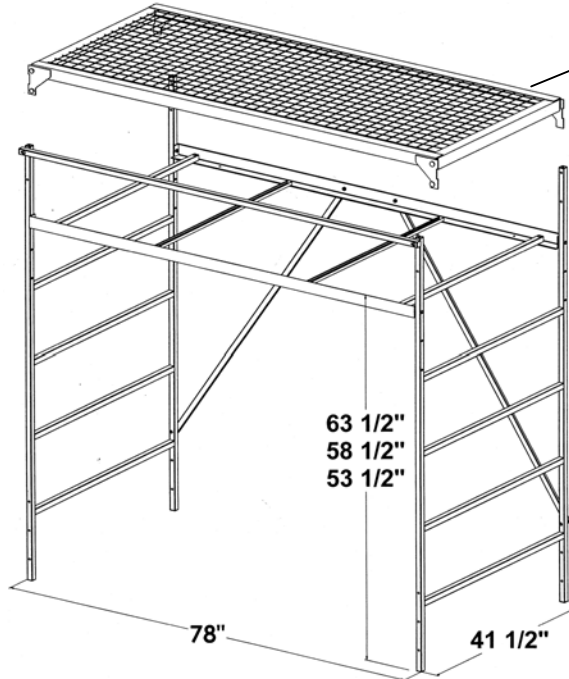
TimberNest "Iron-Nest" Model TN1071P

- **Purchase for \$289** (prev. leased, reconditioned)
- **\$100 CASH Buyback** (end of spring semester)
- Convenient assembly (instructions, tools)
- Safety rail
- Rigid and SAFE
- 3 height settings

It's our 24th year at Longwood!

Add a "Pillow Shelf" Model TN220P

- **Purchase for \$21** (prev. leased, reconditioned)
- Customized to fit only the IronNest
- Folded up edge helps keep items from falling
- Useful for night-items; phone, books, lamp, etc.

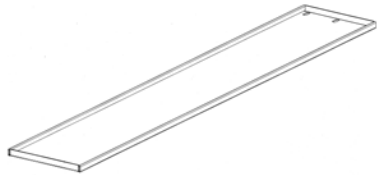


Similar steel bed spring (& mattress) is provided by Longwood University. (Removable bed-ends not shown)

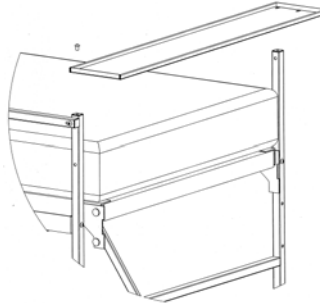
We recommend the MIDDLE height setting for Moss & Johns Halls –ceilings are lower than 8'.

Pricing includes delivery to your room in August.

Assembly is available at additional cost—please see our website for details.



(screws into the legs at the pillow-end of the loft bed)



How to order: Visit www.timbernest.com and select **Longwood**. Order by 8/9/23 to ensure delivery.

Delivery:

Your product(s) will be delivered to your assigned main campus residence hall room by **Fri August 11, 2023**. We offer in-room loft assembly at delivery time for an additional \$30.00 and you may add it to your online order.

\$100 Cash Buyback - end of school-year: Sat April 27, 2024 10am – 1pm at a central on-campus location*. This is just BEFORE exams and quiet hours, so you should plan to reassemble the issued low bed for the last week of school.

*Longwood will determine the location at the onset of the school-year; we will email details and post them on our website.

PLEASE NOTE THESE LONGWOOD UNIVERSITY EXPECTATIONS: All university provided furniture must stay in your room for the entire academic year. The components of the existing bed frame that will need to be stored are the (2) ends that attach to the bed spring. (Removal of these ends from the bed frame may require tools and conveniently store upright against the wall under the pillow shelf.) At the end of the school year the loft bed must be dismantled and, the 3-piece bed frame must be reassembled. The TN1071 Iron-Nest is provided with plastic caps that must remain inserted into the loft bed leg bottoms to protect the floor. Loft beds are not permitted in the Longwood managed apartments.

WARRANTY: TimberNest will warranty the products through April 2024. During this time, TimberNest will send replacement parts free of charge if needed, however, charges will be applied for components replaced due to misuse or as result of assembly not in accordance with the instructions.

Cancellation and Return Policy: To cancel, the Customer/Cardholder must call TimberNest prior to move-in day, OR if the order has been delivered, TimberNest will make arrangements to pick-up the products. No cancellations or returns are accepted after 8/17/23 at 3:00 PM.

Refund Policy: Orders cancelled on or before August 10, 2023 will receive a full refund. Orders cancelled from August 11, 2023 through the end of move-in (8/17/23 @ 3:00pm) will be subject up to a 20% product-relocation fee. Assembly fee is nonrefundable. No refunds will be issued for orders not cancelled by 8/17/23 @ 3pm.